



## PRODUCT



### MANUFACTURER

BEECH OVENS

### MODEL NUMBER

TSQ0500 (*500 Series*) / TSQ0700 (*700 Series*)

### PRODUCT DESCRIPTION

Square Tandoor – Charcoal, Gas or Electric

**Ext Width:**

**Int Diameter:**

**Height:**

850mm/1050mm.

500mm/700mm.

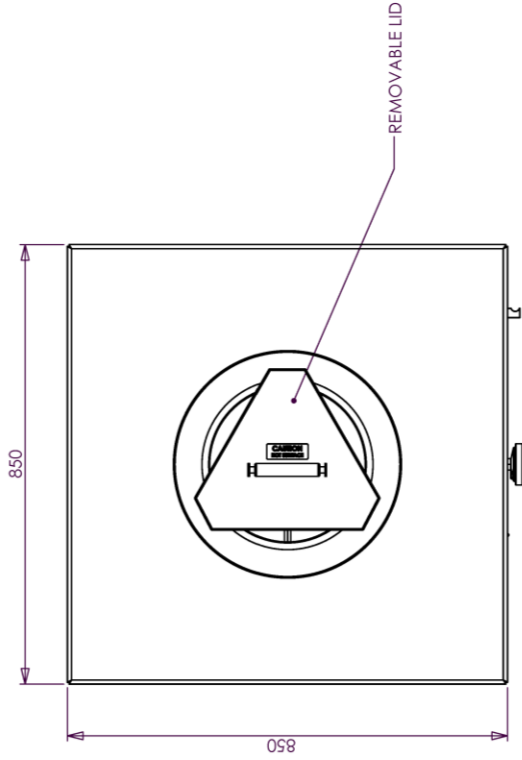
900mm.

**MANUFACTURED IN AUSTRALIA**

[www.beechovens.com](http://www.beechovens.com)

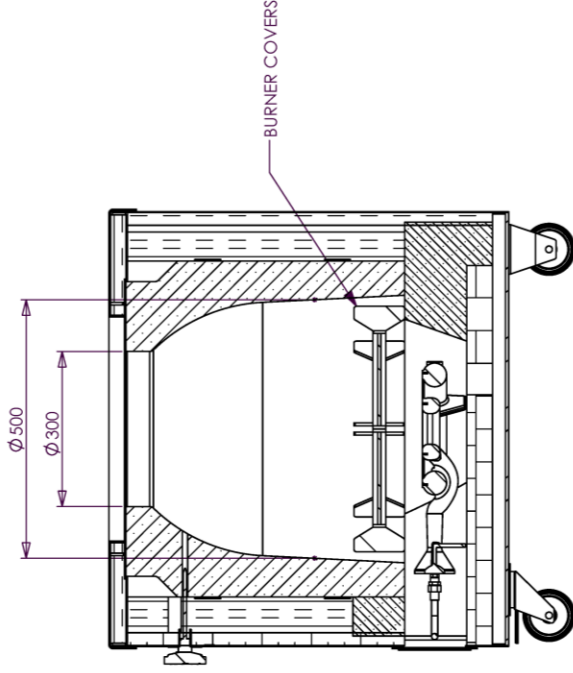
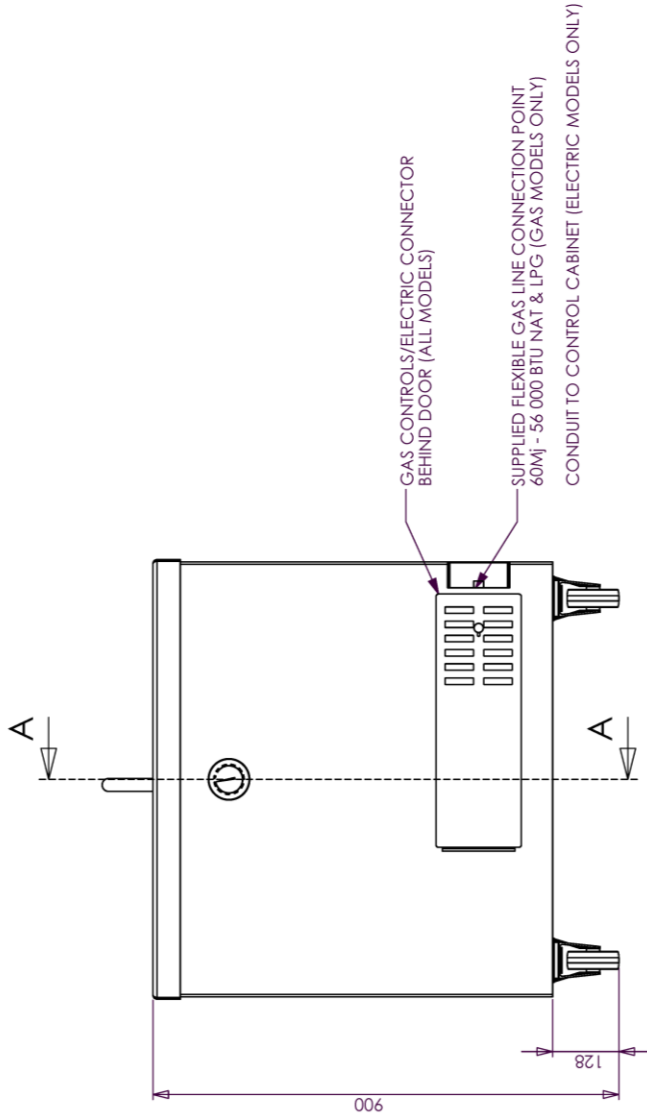
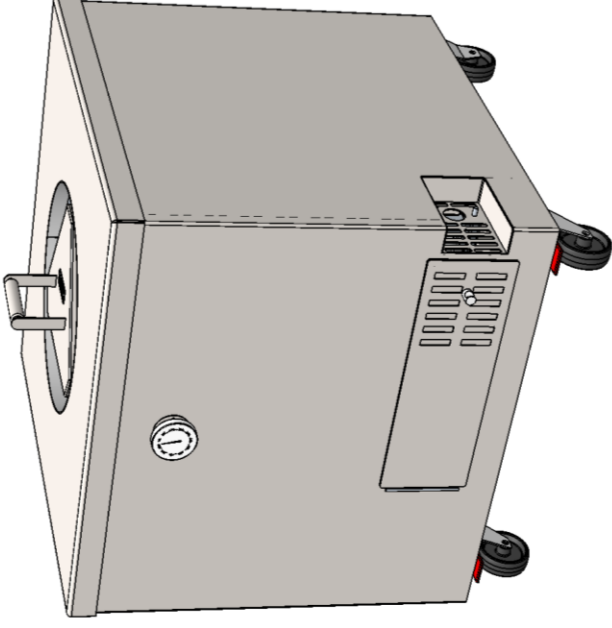
## SPECIFICATIONS

<b>Purpose</b>	Charcoal, Gas or Electric fired Tandoor oven for cooking Naan Bread and foods on skewers.
<b>Construction</b>	High grade castable ceramic or mild steel inner surrounded by compacted insulation encased in 1.6mm Stainless Steel outer casing. Insulated 5mm Stainless Steel base with high grade tile floor and castable lower firing chamber.
<b>Firing Type</b>	Charcoal, Gas or Electric.
<b>Gas/Electric</b>	Gas - 60Mj (56869 BTU) NAT / LPG ( <i>Dual ring Cast iron Burner</i> ). Electric – 11Kw, 380V-450V 3 Phase.
<b>Exhaust Requirements</b>	Under Canopy/Exhaust Hood.
<b>MEP Ratings</b>	Gas Connection – 15mm (1/2") gas connection line. Electrical ( <i>for Gas Fired</i> ) – N/A. Electrical ( <i>Electric Fired</i> ) – 5 core supply cable to main control cabinet, no neutral. Thermocouple cable ( <i>supplied</i> ) to be connected in control cabinet upon connection.
<b>Capacity</b>	Internal surface area approx. 0.75m <sup>2</sup> ( <i>500 Series</i> ) - 1.01m <sup>2</sup> ( <i>700 Series</i> ). Capacity varies between Naan size and operator.
<b>Accessories</b>	SS Hook, Spade, Lid, Ash Scraper ( <i>Charcoal</i> ), 10 x SS Skewers, Analogue Thermometer. Optional Adjustable Feet to replace castors. Optional Sarj/Roti Top Optional Downdraft top ( <i>Electric ONLY</i> ) Optional Skewer rack ( <i>Freestanding or Wall mounted – holds approx. 10 skewers</i> ) Optional 2 and 3 station common stone top supports ( <i>stone by others – cut detail provided</i> )
<b>Safety</b>	Oven and associated systems are CE and UL compliant. UL Tested to Subject 2162 ( <i>Charcoal/Gas Fired</i> ). Complies to USA "ANSI-NSF standard 4" Exterior temperatures below 50°C. Compliant Gas systems with flame failure device.
<b>Special Requirements</b>	Should be installed under an approved exhaust system (Canopy or Hood) Floor surface and substrate to be constructed using non-combustible materials extending 800mm. Immediate surrounding area to be constructed using non-combustible materials.



**SERVICES REQUIRED**

- GAS HEAT INPUT 60MJ (56000 BTU)
- 1.5mm (1/2") GAS LINE CONNECTION WITH ISOLATION VALVE
- ELECTRIC - 11Kw 380-450V, NO NEUTRAL, 5 CORE CABLE
- EXHAUST DUCTING/CANOPY IN ACCORDANCE WITH LOCAL REGULATIONS



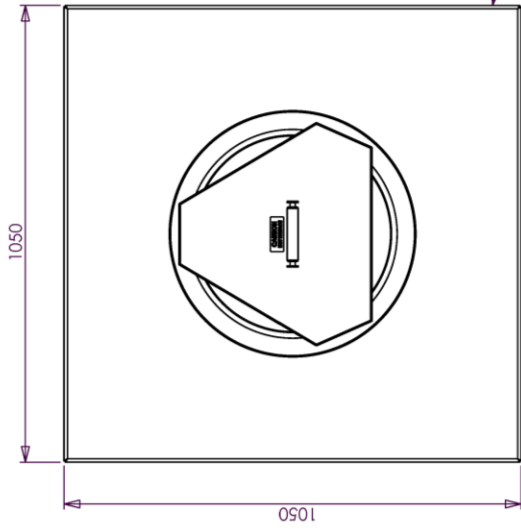
SECTION A-A



REV.	ISSUED FOR CONSTRUCTION	DATE	CHANGED BY
0	DESCRIPTION OF CHANGES		

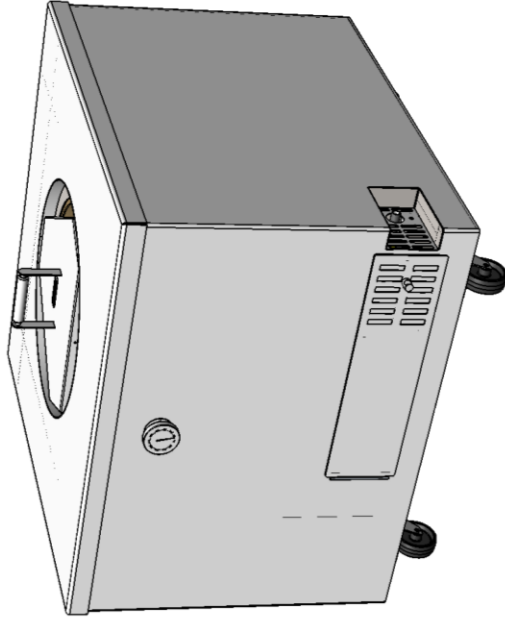
LAST EDITED: Monday, 24 October 2011 4:43:46 PM

Drawn	S Trood	Checked		Scale	1:10	Date	24/10/2011
TANDOR SQUARE Ø500mm INTERNAL STAINLESS STEEL FINISH STANDARD							A3
							NTS - SITE MEASURE
<b>TSQ0500-1000 - BASIC DETAILS</b>							

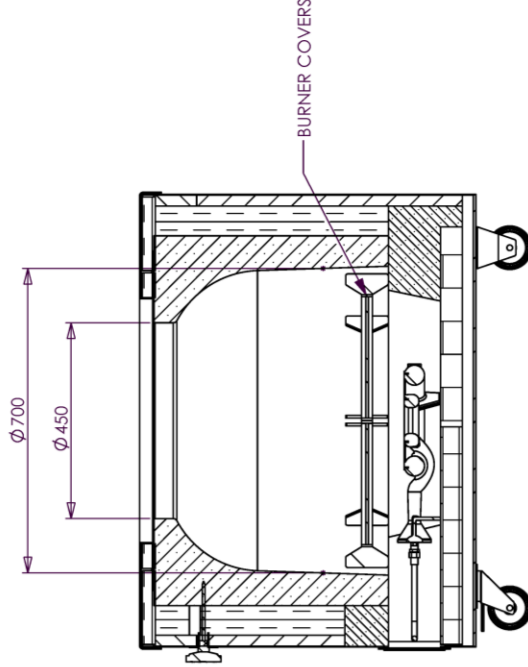
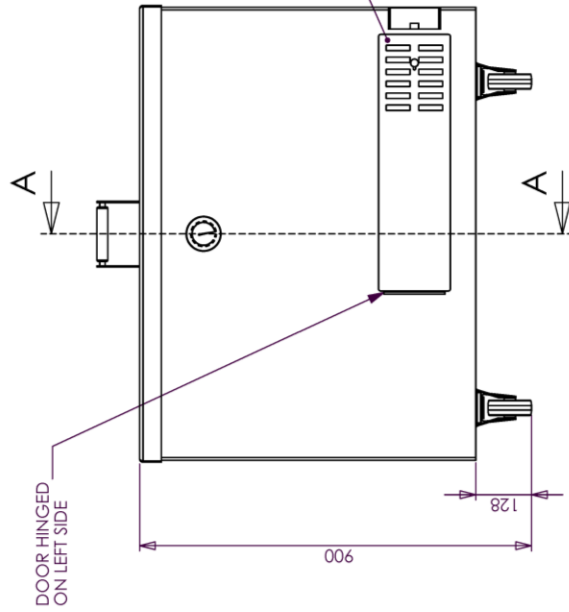


**SERVICES REQUIRED**

- GAS - HEAT INPUT 60MJ (56000 BTU)
- GAS - 15mm (1/2") GAS LINE CONNECTION WITH ISOLATION VALVE
- ELECTRIC - 11Kw - 3 PHASE - 15A per PHASE - NO NEUTRAL
- EXHAUST DUCTING/CANOPY IN ACCORDANCE WITH LOCAL REGULATIONS



GAS - QUICK CONNECT FLEXIBLE HOSE  
ELECTRIC - CABLE TO CONTROL CABINET



SECTION A-A

REV.	0	ISSUED FOR CONSTRUCTION	DATE	CHANGED BY
REV.		DESCRIPTION OF CHANGES		
LAST EDITED:	Monday, 24 October 2011 9:38:05 PM	©Copyright 2006 Beech Ovens Pty Ltd. All rights reserved.		

Drawn	S Trood	Checked		Scale	1:12	Date	24/10/2011
TANDOR SQUARE Ø700mm INTERNAL STAINLESS STEEL FINISH STANDARD							A3
							NTS - SITE MEASURE
<b>TSQ0700-1000 - BASIC DETAILS</b>							

