

BEECH OVENS



WORLD LEADER IN SPECTACULAR COOKING EQUIPMENT™

MAGIC FISH GRILL

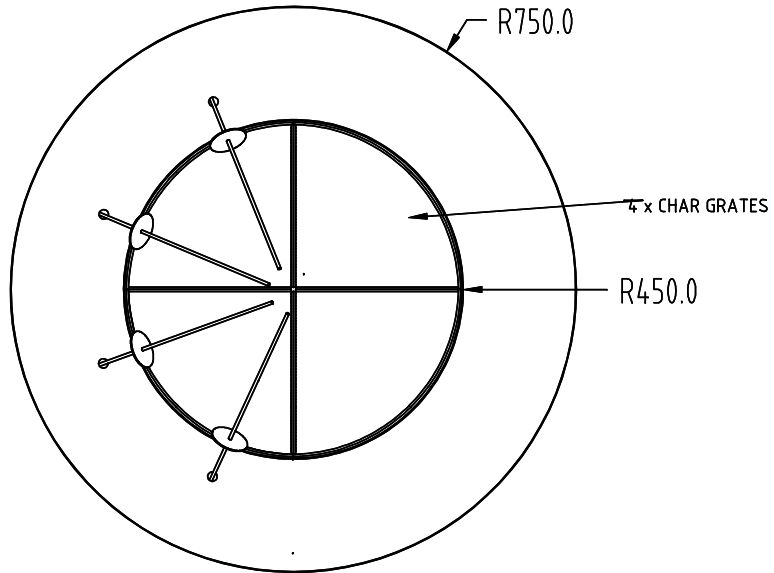
This unit is a custom built circular char grill with motorized rotisseries designed to be a spectacular feature in any display kitchen or theatre restaurant.

Unique Features:

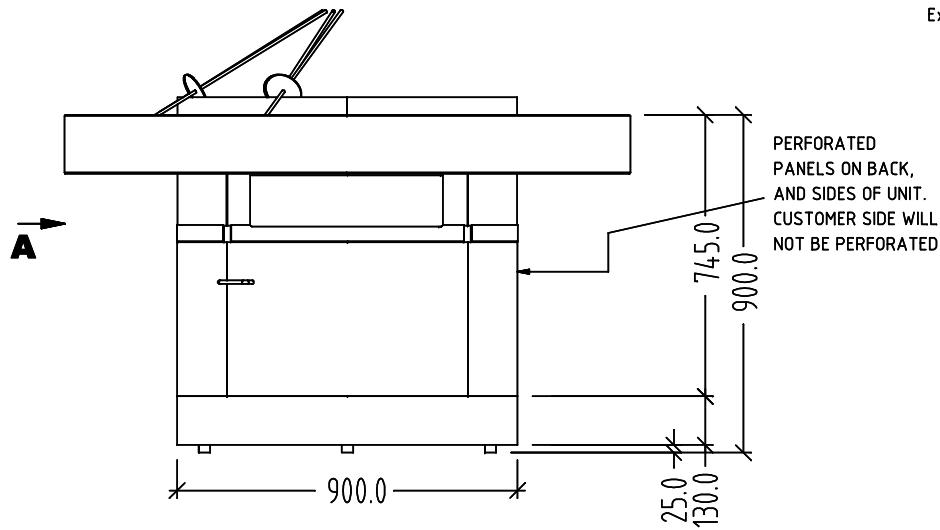
- High performance gas grill with excellent cooking of all meat, chicken, fish or vegetables.
- Option to substitute flare grate sections with flued smooth griddle plate sections.
- Dual controls for island cooking.
- Grill plates and gas burners remove easily for cleaning.
- Full flame failure fitted to all gas systems for safety.
- Unit includes 250mm tray race, giving a final diameter of 1500mm.
- Smoking chips can be placed onto the drip tray of the gas grills to add flavour.
- Grill includes 4 custom made motorized rotisserie skewers.
- The angled skewers are appropriate for slow roasting items such as fish, chicken, vegetables and smaller pieces of red meat under approximately 2.5 kg.



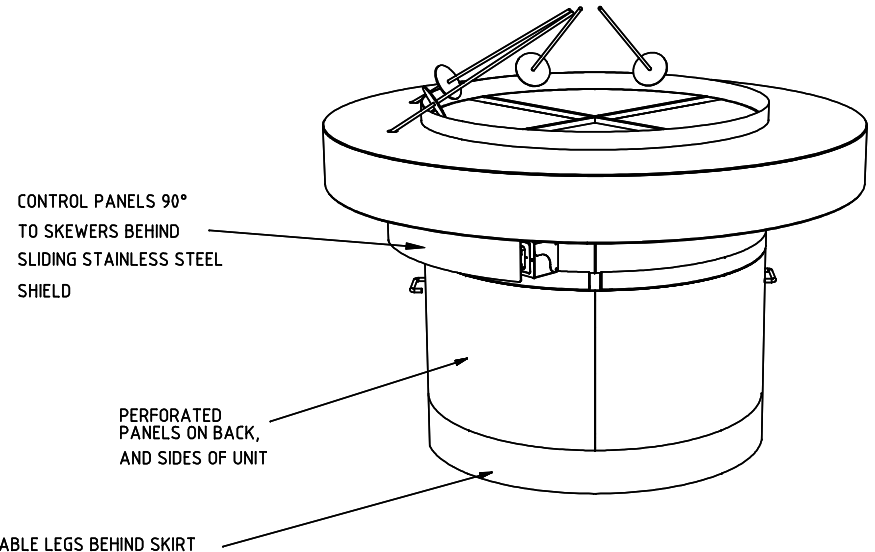
TOP VIEW



FRONT VIEW

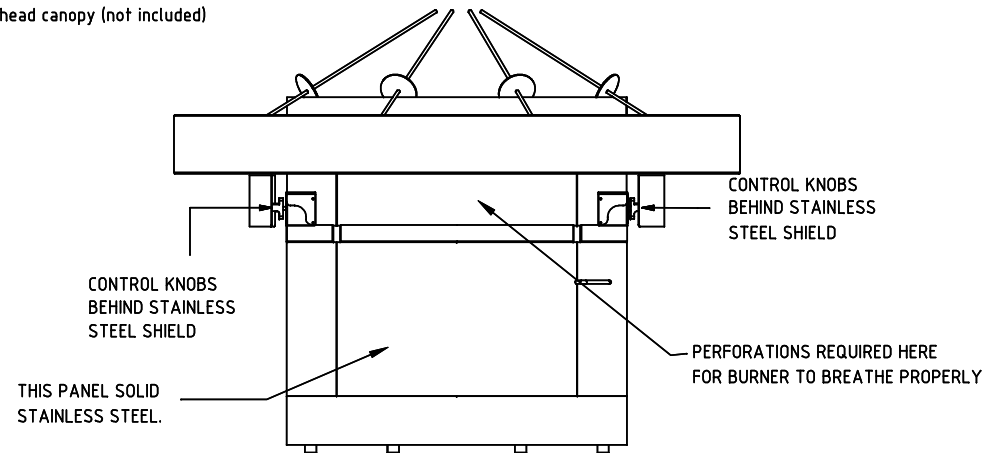


PICTORIAL



GAS AND POWER SERVICES TO CENTRE OF UNIT. ACCESS FROM REMOVEABLE SKIRT PANEL
 94mJ. Gas required.
 220-240V. 12amp Electricity.
 Exhaust by overhead canopy (not included)

A VIEW



BEECH OVENS "WORLD LEADER IN SPECTACULAR COOKING EQUIPMENT"

RFG 1500 - 1000
Overall Dimensions & Pictorial

Drawn	cad2	Drawing No.	RFG 1500 - 1000
Date	18/04/2008	Revision	-
Submitted	GT	Scale	1/20
Approved		Paper Size	A4
Distribution List:		Material	Stainless Steel