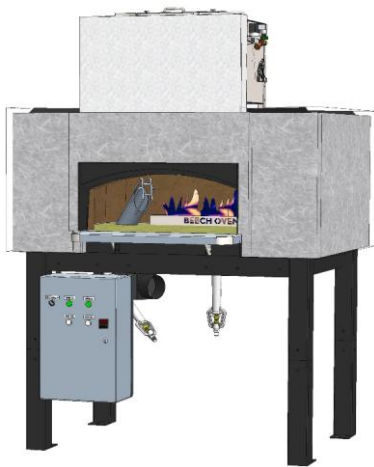




PRODUCT



MANUFACTURER

BEECH OVENS

MODEL NUMBER

REC1250 (1 Door)

PRODUCT DESCRIPTION

Rectangular Stone Hearth Oven – Wood/Gas/Electric.

Ext Width:

1600mm.

Int Width:

1250mm.

Height:

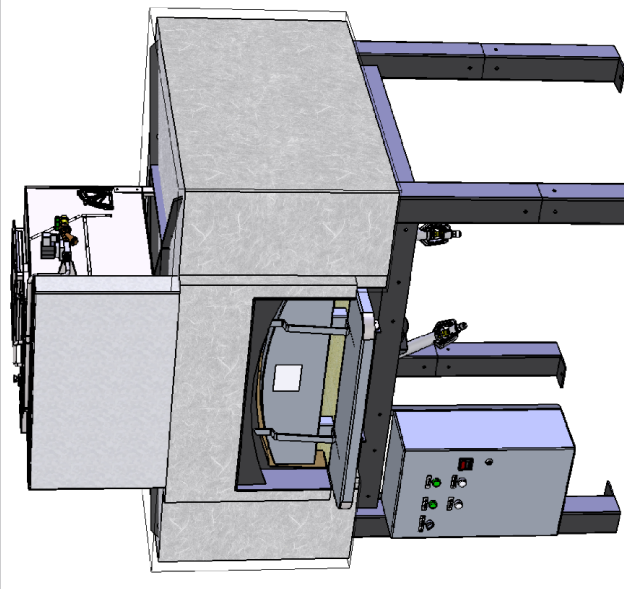
1730mm.

MANUFACTURED IN AUSTRALIA

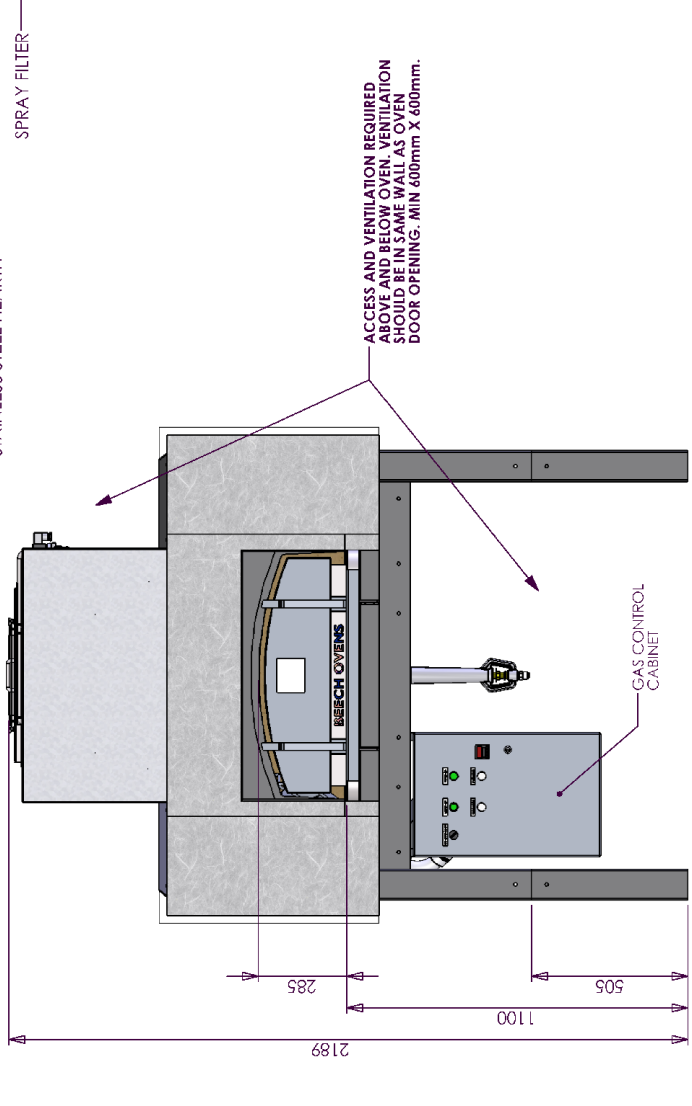
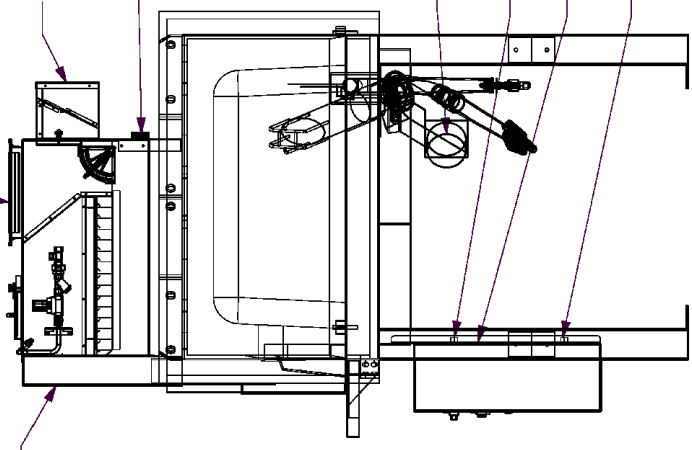
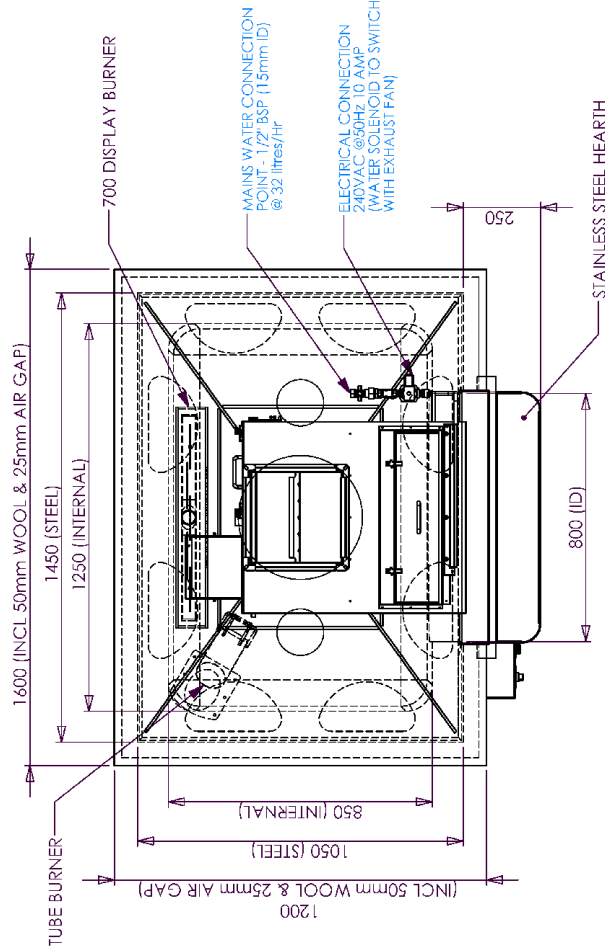
www.beechovens.com

SPECIFICATIONS

Purpose	Wood/Gas Fired stone hearth oven for cooking Pizza and other dishes.
Construction	High grade castable ceramic encased in 5mm steel housing supplied in 2 major sections with removable legs. 50mm insulation covers oven body, 25mm air gap between insulation and non-combustible façade material. 75mm stone hearth floor above 25mm insulating board and 5mm plate.
Firing Type	Wood, Gas, Gas Back-up (<i>Wood and Gas</i>) or Electric (See separate spec sheet for Electric)
Gas	Gas Back-up - 80Mj NAT / 80Mj LPG (<i>Tube Burner</i>) Full Gas - 70Mj + 80Mj NAT / 70Mj + 80Mj LPG (<i>Display + Tube Burner</i>)
Exhaust Requirements	Under Canopy/Hood OR Beech Spray Filter (<i>Wet Scrubber</i>) OR Flue Transition.
MEP Ratings	Gas Connection – 19mm (3/4”) line (1 per burner). Electrical – 220-240VAC @ 50Hz 1 Phase 10 AMP Spray Filter Water Inlet– 15mm @ 30 L/Hr. Spray Filter Water Outlet – 40mm Copper Drain – To drain via tundish visible to operator. Spray Filter Water Solenoid – 220-240VAC @ 50Hz 1 Phase 10AMP (<i>Linked to exhaust fan – Fan ON = Solenoid ON</i>) Spray Filter Exhaust Ratings – 300mm x 300mm connection, 130Pa Static Pressure, 1000l/sec Spray Filter Cool air Make-up unit – Ensure a fresh air supply is available. No connection required.
Capacity	Cooks approximately 30 x 300mm pizzas per hour.
Accessories	Pizza Tools (<i>Pizza Peel, Spigot Brush, Brass Floor Brush, Bubble Hook, SS Rake and Shovel</i>) Stainless Steel Hearth (<i>Optional – shown in image</i>) Spray Filter (<i>Optional – shown in image</i>)
Safety	Oven and associated systems are CE and UL compliant. UL Tested to Subject 2162 (<i>Wood/Gas Fired</i>). Complies to USA “ANSI-NSF standard 4” Exterior temperatures below 50°C. Compliant Gas systems with flame failure device.
Special Requirements	Façade and Oven surround to be made of non-combustible material. Tube Burner Vent to be connected via ventilation panel in front façade panel below oven door (<i>See Installation and Operation Manual for details</i>) Access and ventilation panel to both above and below oven - minimum 600mm x 600mm Metal infill required between oven spigot and façade to prevent hot air and flames entering the façade cavity.



NOTES:
 CONNECTION TO APPROVED BLUE/DUCTINGS REQUIRED
 (CHECK LOCAL CODES AND REGULATIONS)
 SERVICES REQUIRED - SEE BLUE TEXT
 THE OVEN IS DELIVERED IN THREE (3) SECTIONS:
 UPPER SECTION - Approx 1050kg
 BASE SECTION - Approx 495kg
 LEGS - Approx 10kg EACH
 TOTAL WEIGHT = Approx 1,650kg
 FOR INSTALLATION INSTRUCTIONS SEE INSTALLATION
 AND OPERATION MANUAL



ACCESS AND VENTILATION REQUIRED ABOVE AND BELOW OVEN. VENTILATION SHOULD BE IN SAME WALL AS OVEN DOOR OPENING. MIN 600mm X 400mm.

CONNECT TO TUBE BURNER VENT AT FRONT FACADE (FITTINGS SUPPLIED BY BEECH) - SEE INSTALLATION AND OPERATION MANUAL FOR DETAILS
 OUTGOING GAS CONNECTION POINT (TO BURNERS)
 ELECTRICAL CONNECTION POINT (240VAC @ 50Hz 10 AMP 1 PHASE)
 INCOMING 2 X 19mm (3/4") COPPER GAS CONNECTION POINT (80M³ / 75825 BTU (NAT & LPG) TUBE BURNER (70M³ / 66346 BTU (NAT & LPG) DISPLAY BURNER)

Drawn	S Trood	Checked	Scale	1:17	Date	8/08/2011
 BEECH OVENS Australia (617) 3397 0277						
RECTANGULAR OVEN 1250mm ID SINGLE DOOR - FGL (DISP+TUBE LEFT) SS HEARTH_SPRAY FILTER						
NTS - SITE MEASURE						
REC1250-2043 - BASIC DETAILS						
REV.	0	ISSUED FOR CONSTRUCTION	DATE	CHANGED BY		
LAST EDITED: Monday, 8 August 2011 11:49:13 AM ©Copyright 2006 Beech Ovens Pty Ltd. All rights reserved.						